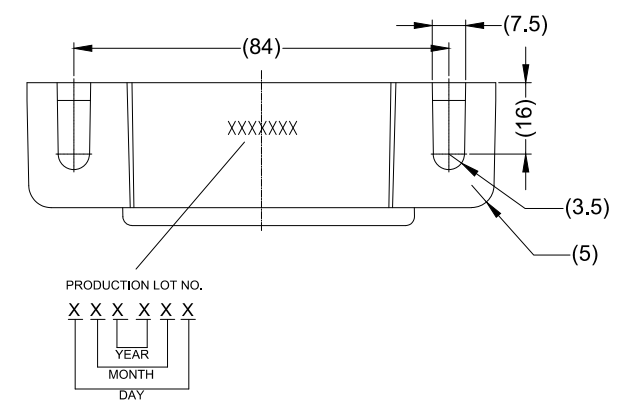
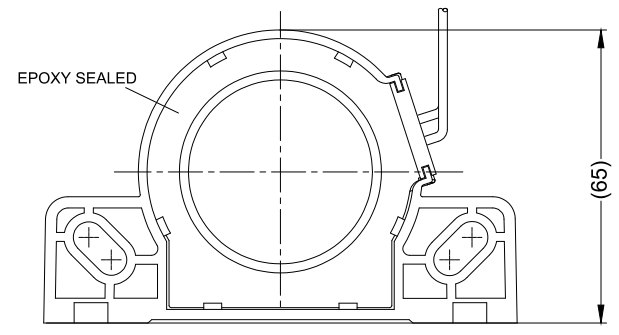
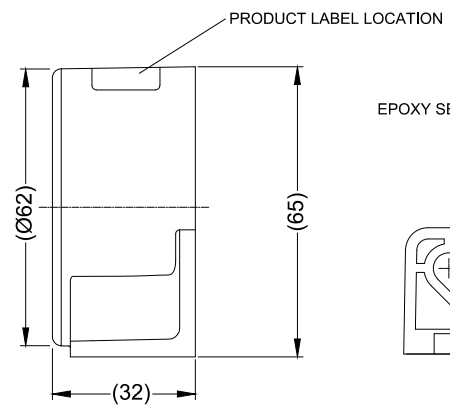
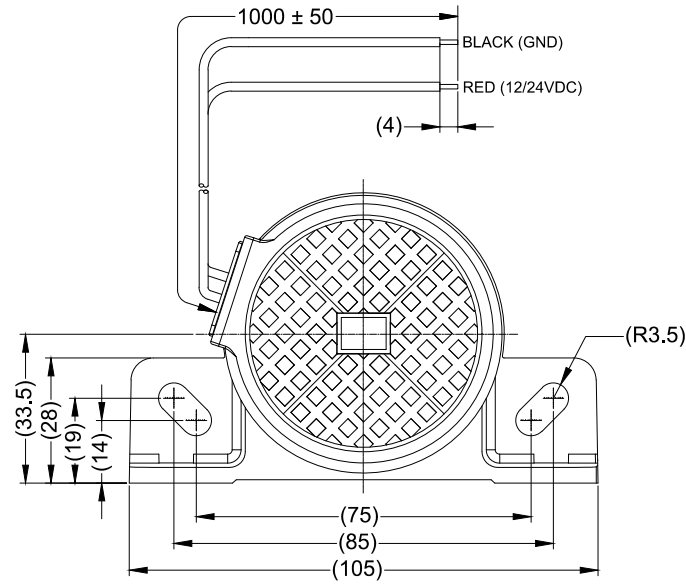


Revision Notes:				
R1 -				
APA: -	Drawn:	Checked:	Approved:	Date:



- SPECIFICATION:**
1. RATED VOLTAGE: 12/24 VOLTS DIRECT CURRENT (WORKING VOLTAGE 9 ~ 32 VOLTS)
 2. RATED CURRENT: 0.3 AMPERES OR LESS.
 3. SOUND PRESSURE: 97±4 DECIBELS AT TEST VOLTAGES OF 14/28 VOLTS (AS MEASURED AT A DISTANCE OF 1.2 METERS AND AT A HEIGHT OF 1.2 METERS ABOVE THE GROUND)
 4. FREQUENCY: 1600±200Hz AT TEST VOLTAGES OF 14/28 VOLTS.
 5. INTERMITTENCE: 80±15 CYCLES PER MINUTE AT TEST VOLTAGES OF 14/28 VOLTS.
 6. DURABILITY: TO BE FREE ABNORMALITY AFTER BEING TESTED FOR 500 HOURS CONTINUOUSLY AT TEST VOLTAGES OF 32 VOLTS.
 7. RANGE OF OPERATING TEMPERATE GUARANTEED: -40°C ~ +85°.
 8. OTHERS: SAE J994.

- NOTES:**
1. FINISH IS MATT BLACK.
 2. MATERIAL IS PA6 PLASTIC.
 3. "R TRIANGLE" INDICATES CHANGES MADE TO REVISION OF DRAWING AS IDENTIFIED IN NOTES.
 4. FOR PACKAGING & LABELLING DETAIL REFER TO THE LATEST REVISION OF THE MASTER BOM AND DRAWINGS.

PROPRIETARY NOTICE
 THIS DESIGN AND TECHNICAL INFORMATION APPEARING ON THIS DRAWING IS THE PROPERTY OF BRIGADE ELECTRONICS, AND IS DISCLOSED IN CONFIDENCE. IT IS NOT TO BE COPIED, REPRODUCED, REVEALED TO OR EXPROPRIATED BY OTHERS, EITHER IN WHOLE OR IN PART WITHOUT THE EXPRESS WRITTEN CONSENT OF BRIGADE ELECTRONICS.



Assembly Pl Approval W. FUKUZAWA		Approved by A. KEBEDE		Checked by E. MATHEW		Drawn by J. YU	
Angle of Projection 		Units mm	Scale N/A	Released 17/03/2025	Assembly Ref BA-560		
Status RELEASED		Part No 2742A		BE-005024-00-25			